

Micro ingredients

Loading station



Application

The micro ingredient loading station unit is used for controlled dosing of the required amounts of small ingredients, generally in powdered form, such as enhancers, sugar, flour, salt, gums before subsequent transportation to the usage points. They are used for minor ingredients within a production process. They can be used to introduce different products to a (multi-product) production line.

It can be used for other non-food applications involving any type of solid material in powder form.

Operating principle

When the system requests the micro ingredients for the recipe, the products are transported from the different micro ingredient loading tanks to the micro ingredient scale using a worm screw, where the amount set by the system is dosed. It is possible to dose both the product itself and a blend of different ingredients from the micro ingredients station.

Various components are included to facilitate the emptying of the hopper and to transport the raw material it contains to the points of use, such as rotary valves, butterfly valves, worm screws, vibrators, extractors, and/or sifters. These are selected depending on the product and use. These elements enable transportation by vacuum.

Design and features

A micro ingredient sieve is used during discharging from the loading stations to prevent any foreign particles entering the production lines.

The number of micro ingredient loading tanks is determined by the customer's requirements.

Platform enables access to the equipment.

Manually operated powder aspiration system.

Stainless steel protective grate for manual feed of the loading tanks.

Micro ingredient loading station flow rates ranging from 60 kg/hour to 180 kg/hour.

*Flow rates always depend on the product used and the installation conditions.

Micro ingredients

Loading station

Design and features

Types of raw material: flour, starch, leaf, grain, sugar, salt.

Solids level detector.

Weighing instruments.

A discharge vibrator to aid raw material transfer.

Extraction components are pressurised when the raw material is either sugar or salt.

Technical specifications

Materials:

Parts in contact with the product	AISI 316
Other materials	AISI 304
Protection elements	AISI 316
Seals in contact with the product	TR08 FDA cellular silicone

Surface finish:

Internal	2B, with stripped and polished welds, $Ra \leq 0.8 \mu m$
External	2B with brushed welds

Operating limits:

Capacity	from 40 L to 115 L
Working pressure	Atmospheric
Working temperature	Ambient (equipment without jacket)

Options

Semi-automatic tank loading system.

Installation of an automatic powder aspiration system.

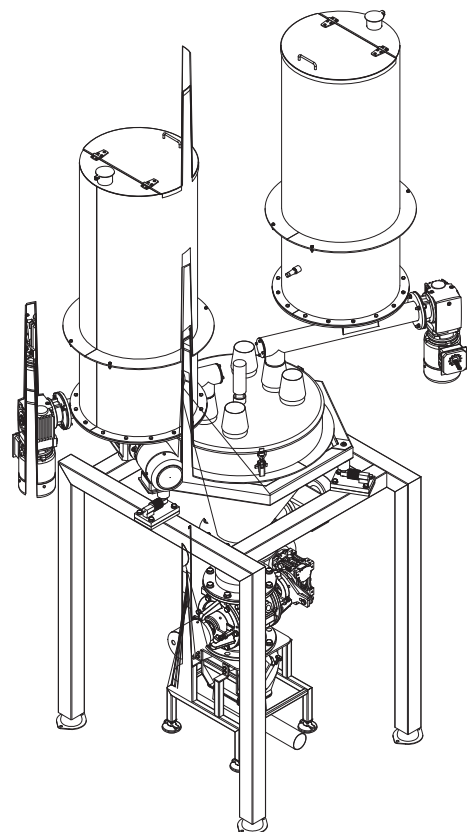
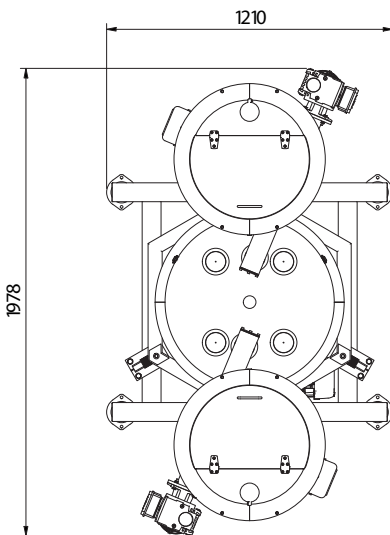
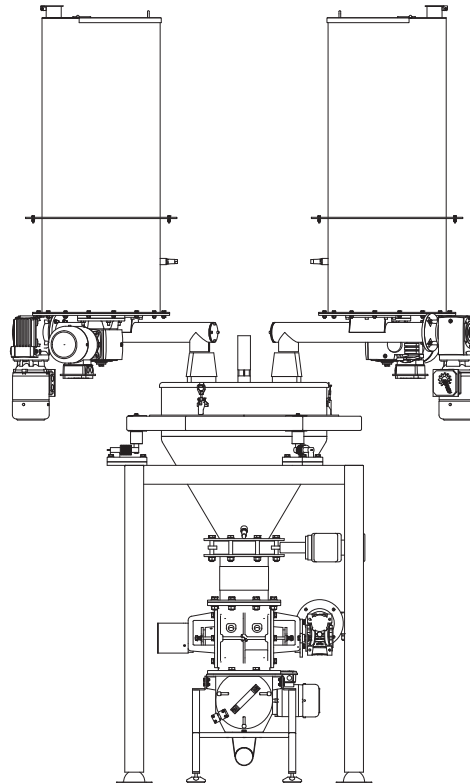
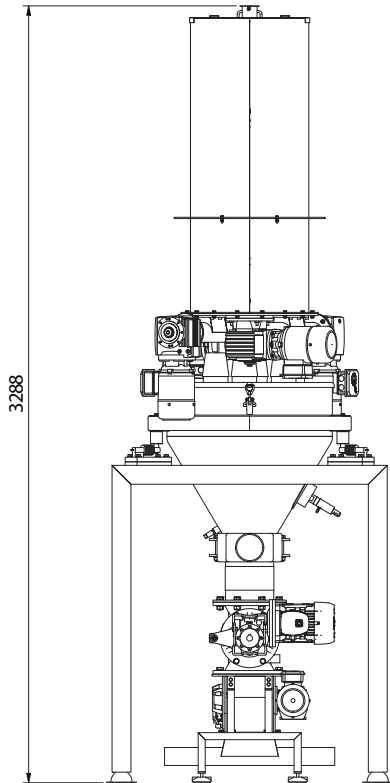
Non-standard ATEX marking.

Other configurations and products to be consulted.

Micro ingredients

Loading station

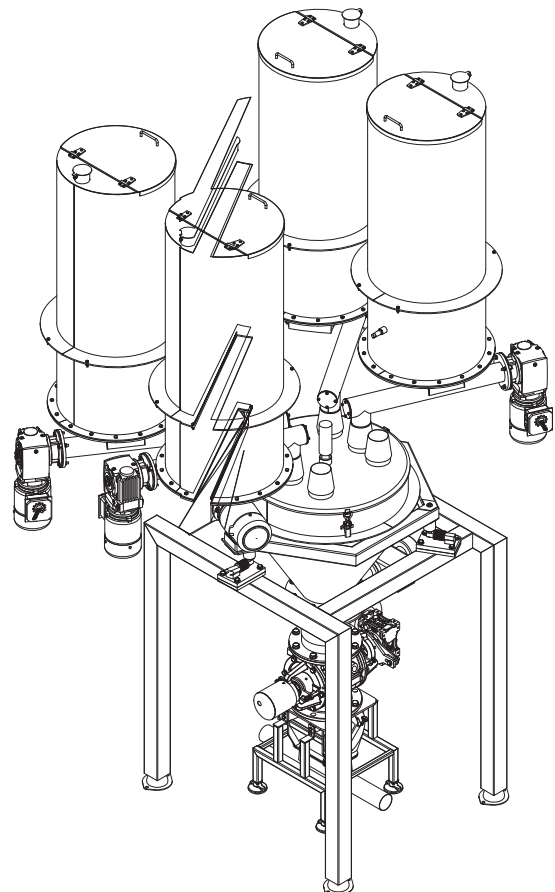
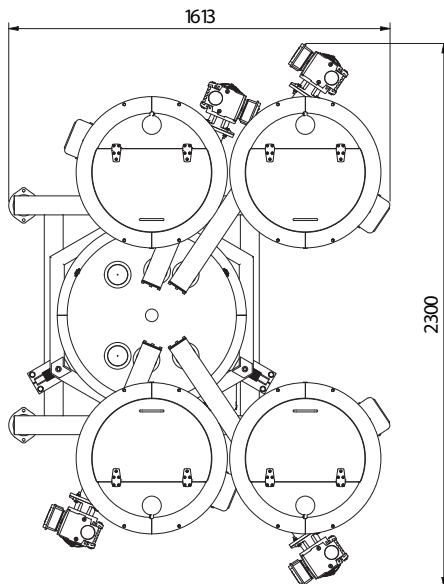
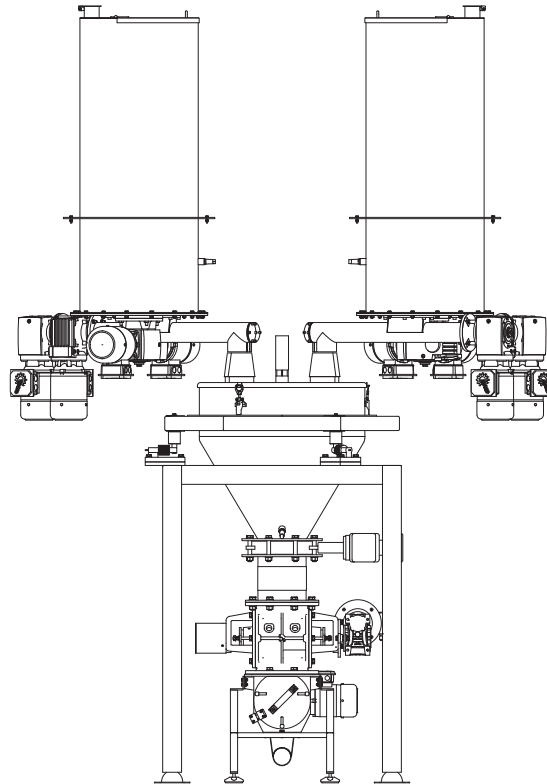
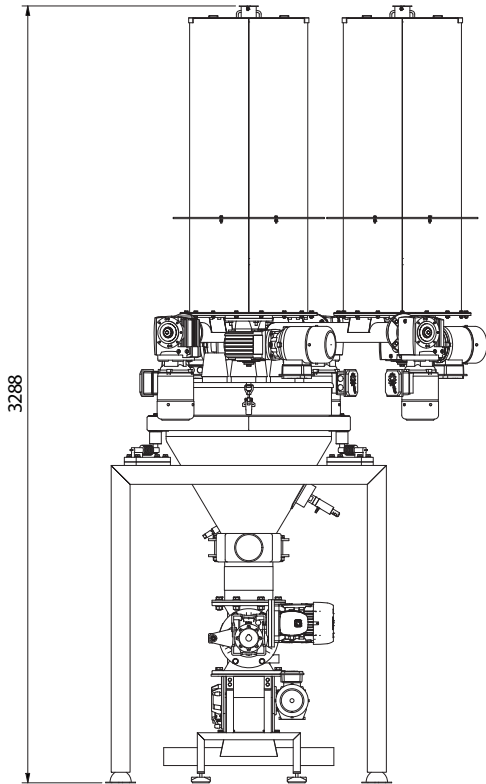
Dimensions: micro ingredient loading station with 2 tanks



Micro ingredients

Loading station

Dimensions: micro ingredient loading station with 4 tanks



Micro ingredients

Loading station

Dimensions: micro ingredient loading station with 6 tanks

